

Fig. 1 Block diagram for the complete Cortex.

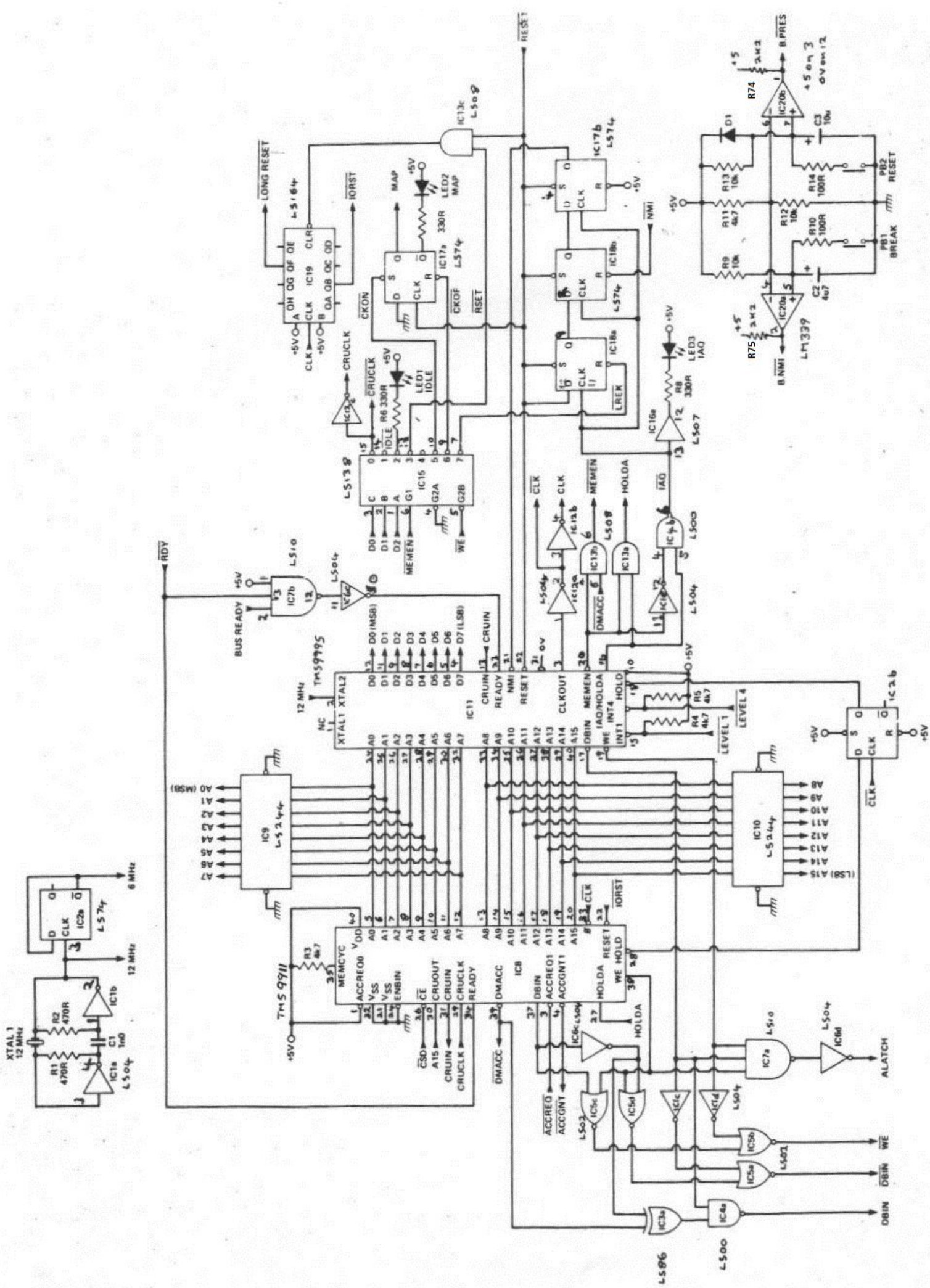


Fig. 2 Circuit diagram of the CPU and DMAC circuitry.

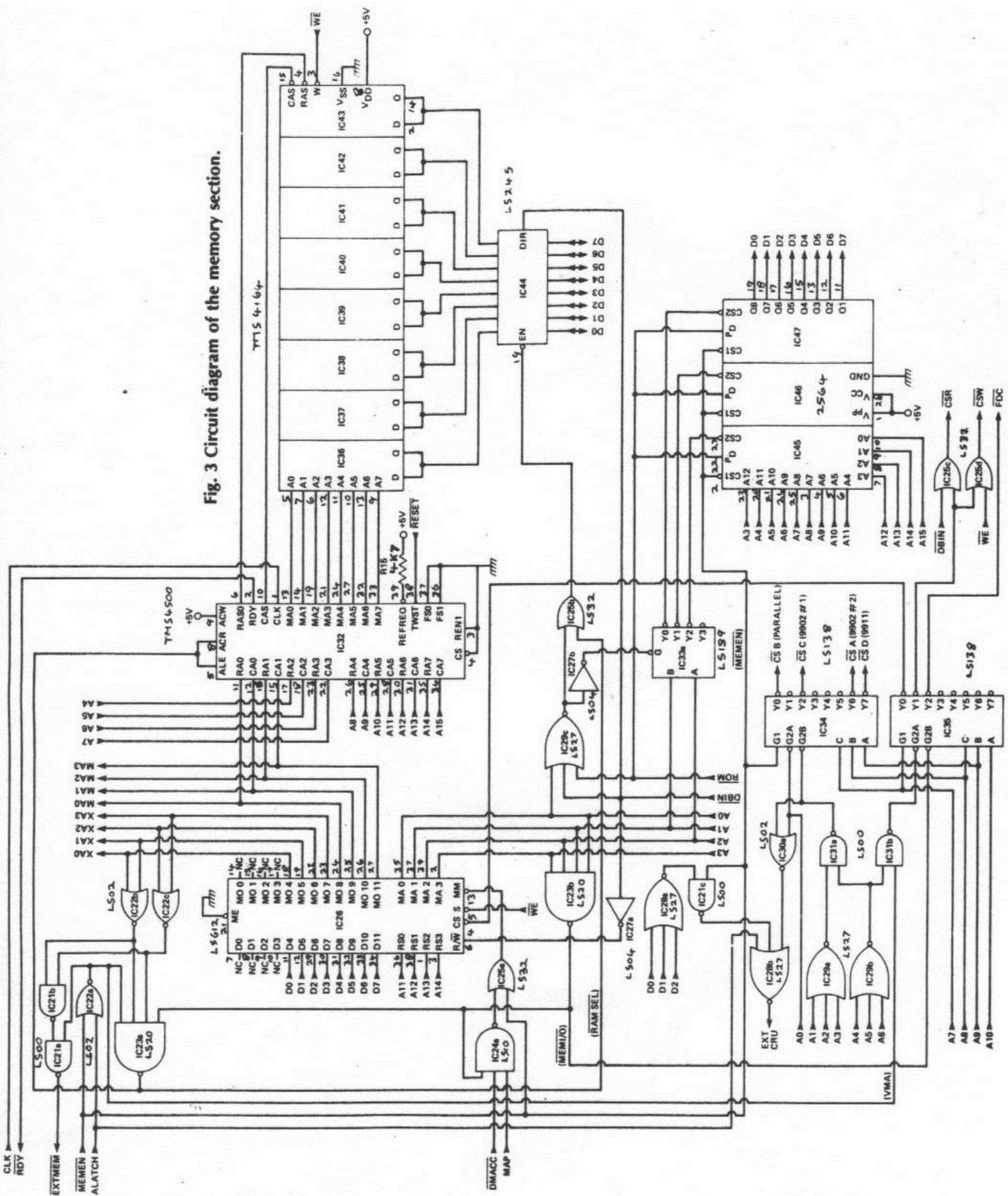


Fig. 3 Circuit diagram of the memory section.

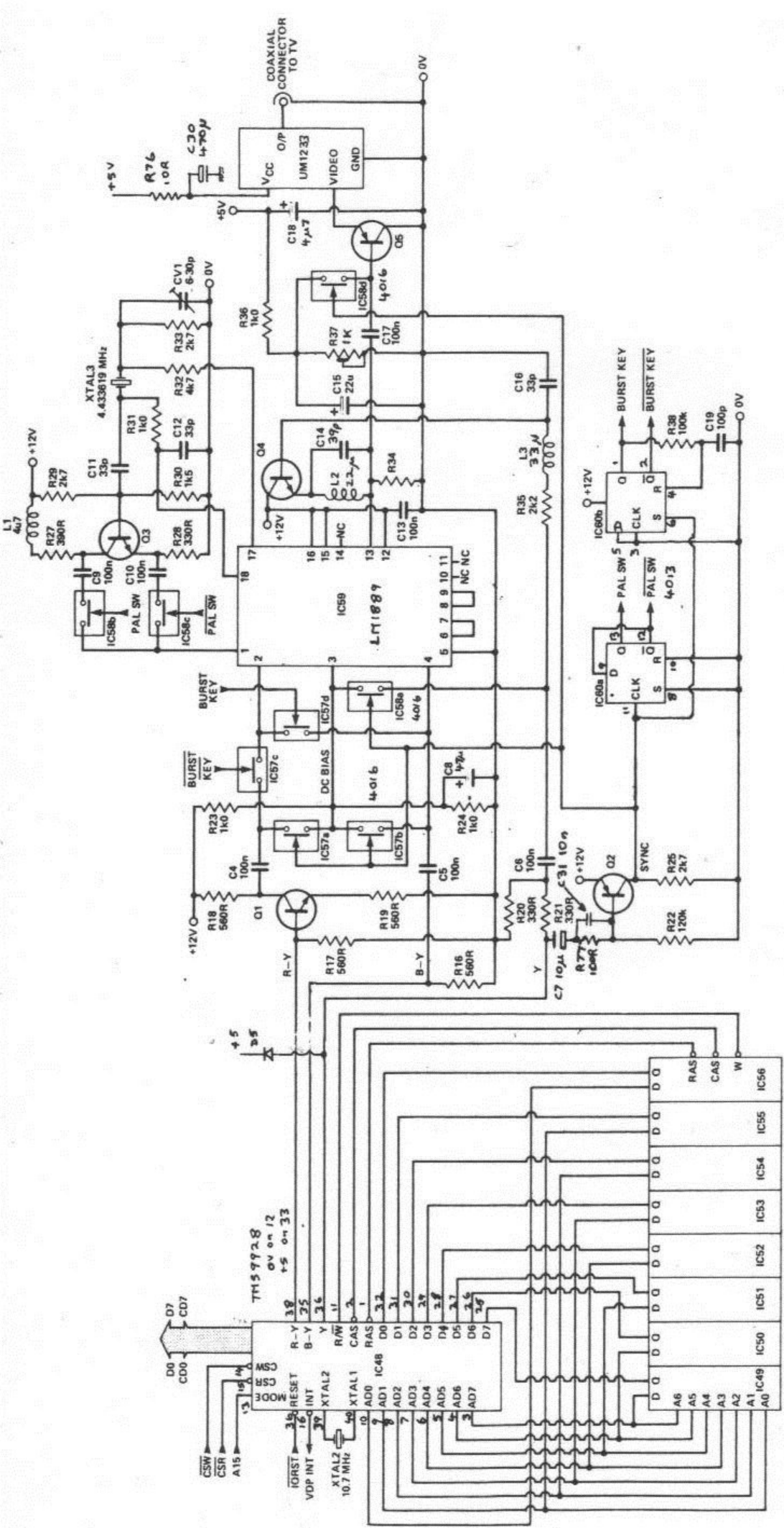


Fig. 4 Circuit diagram of the video display circuitry.

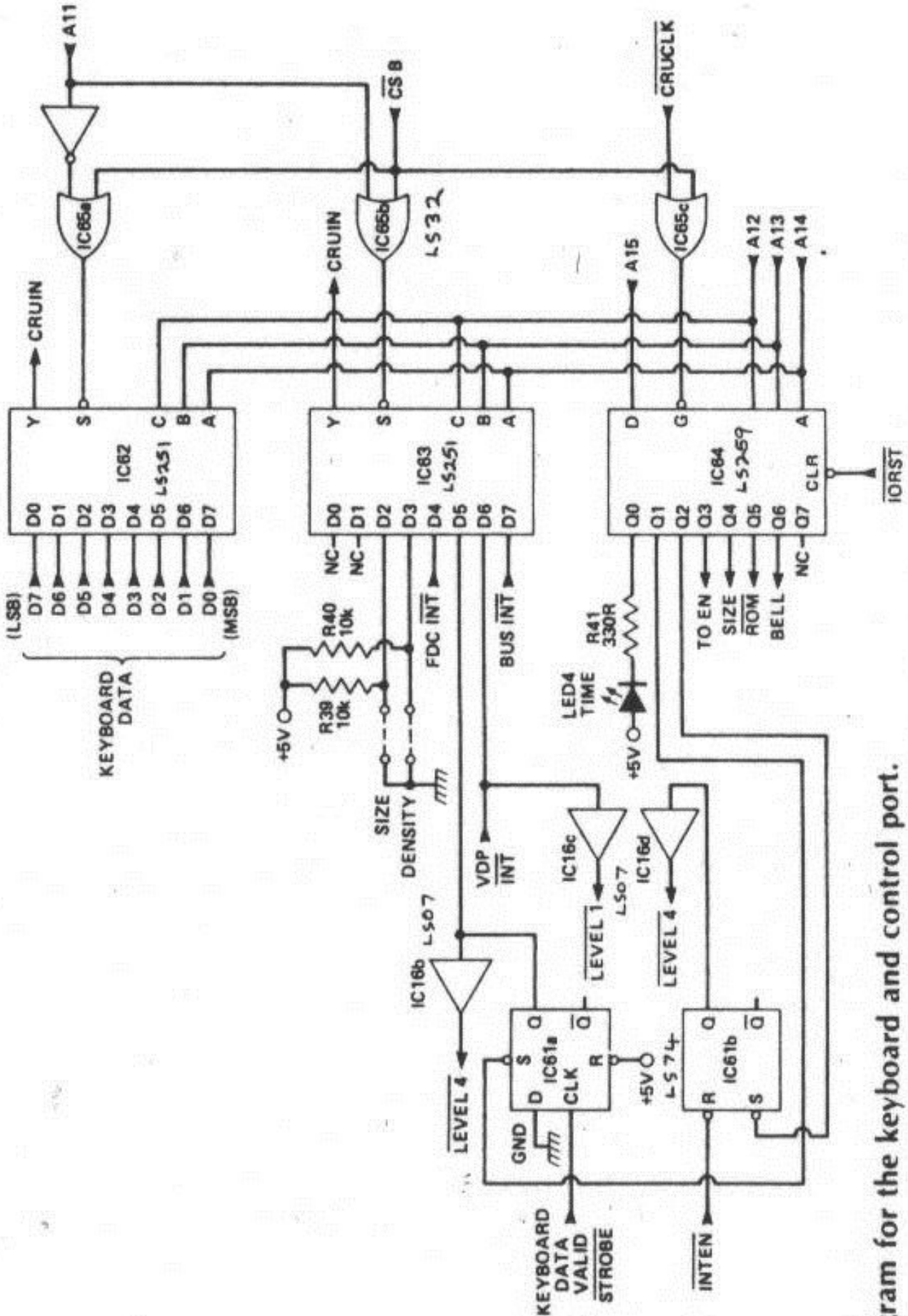


Fig. 1 Circuit diagram for the keyboard and control port.

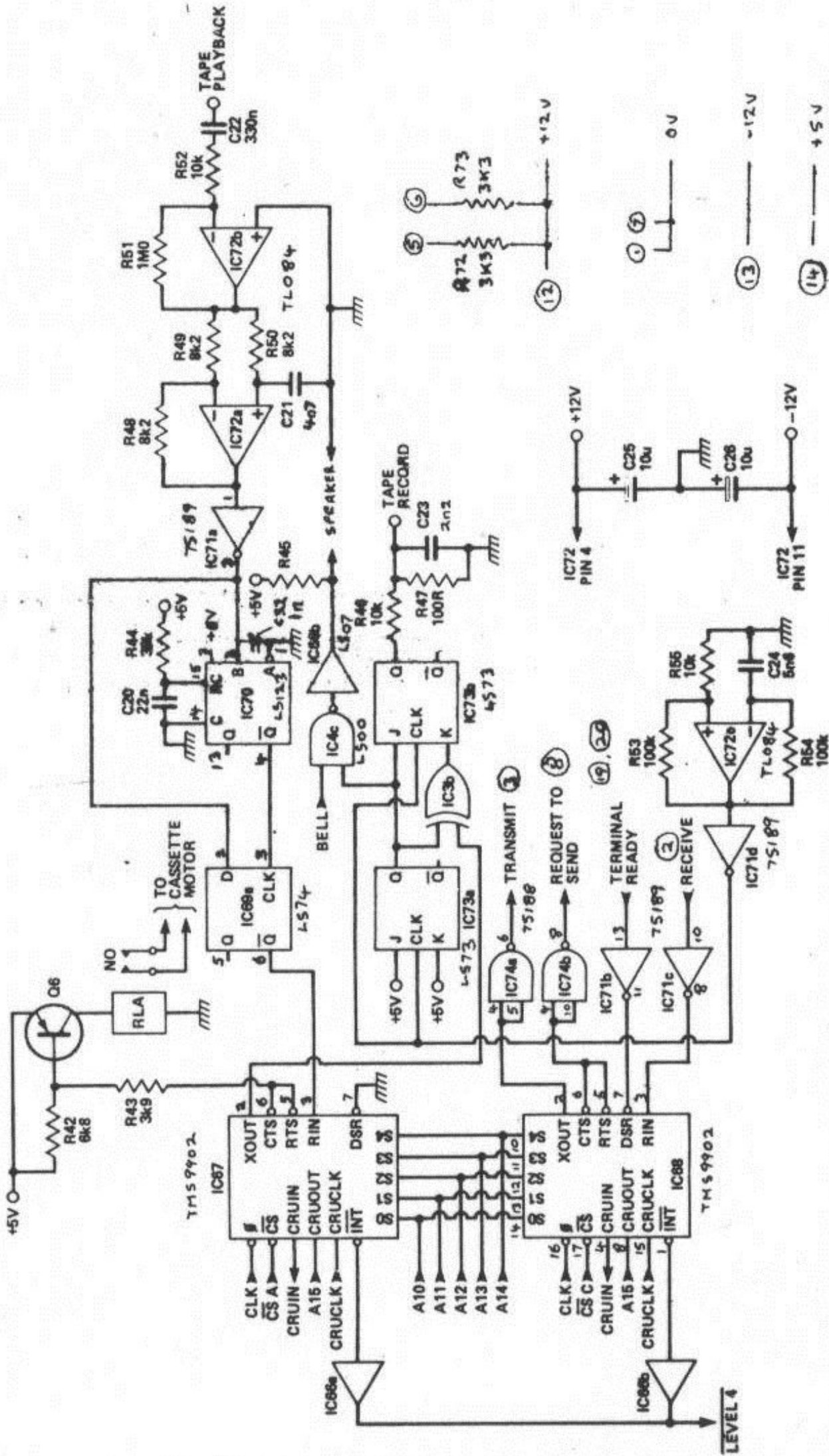


Fig. 2 Circuit diagram of the RS232 and cassette interfaces.

RS232C socket

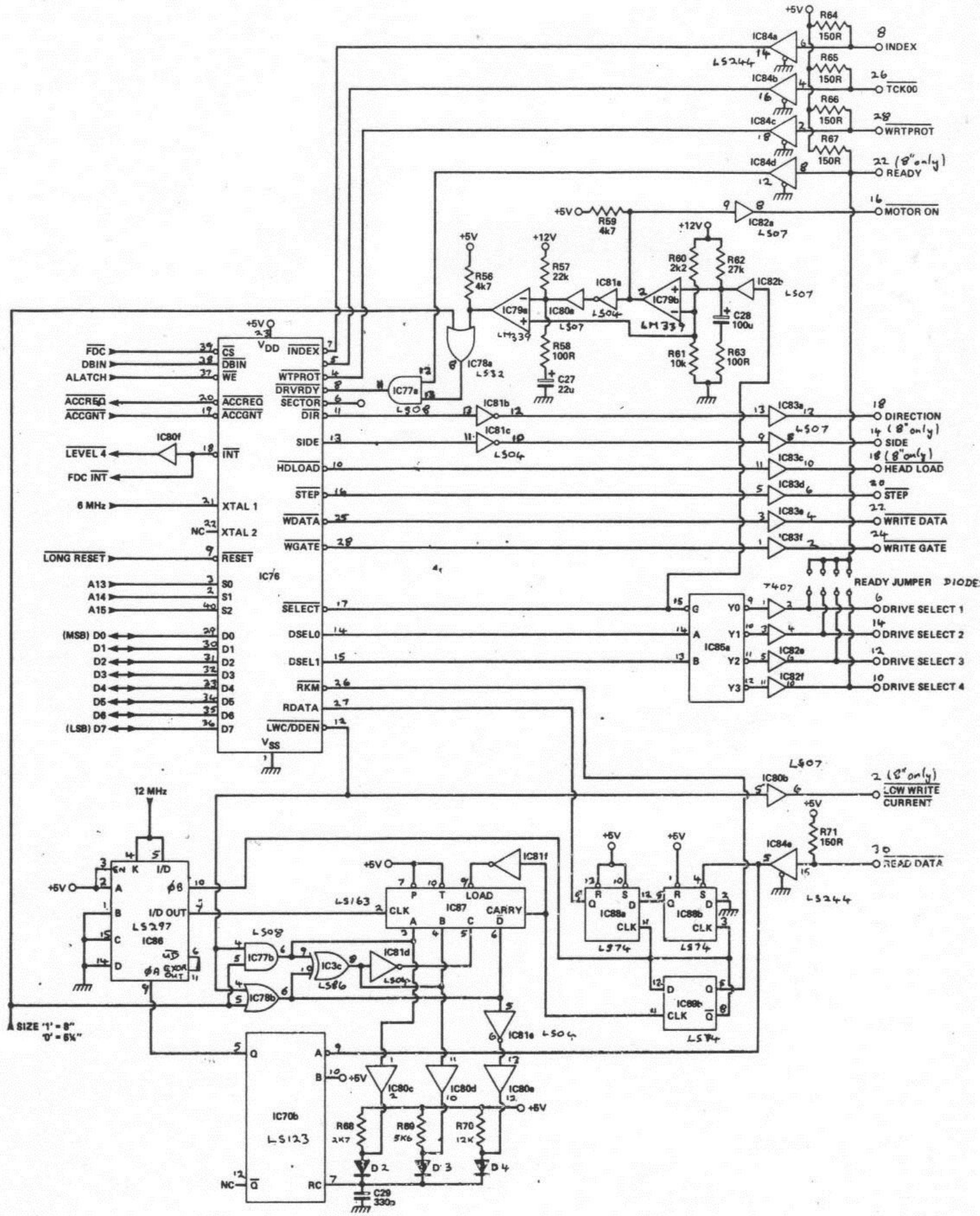


Fig. 3 Circuit diagram for the floppy disc controller section.

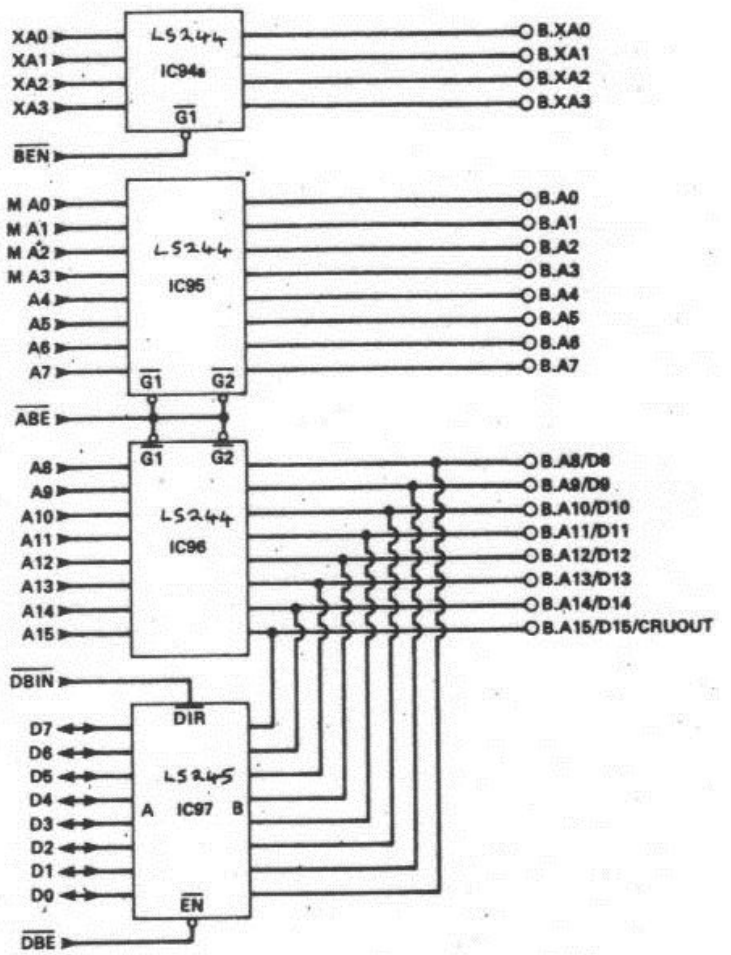


Fig. 5 Circuit diagram for the E-BUS interface.

